

OUTDOOR EURO

Outdoor temperature sensor in
NEMA 4X / IP66 plastic enclosure



FEATURES

- Durable NEMA 4X/IP66 injection-molded watertight enclosure
- Hinged removable snap cover
- Quick Connect wire terminals eliminate wire nuts
- NTC thermistors, RTD elements or temperature transmitters available
- 1/2" NPT conduit adapter and cable gland included
- Compatible with most control systems
- CE & RoHS compliant
- 5 year limited warranty
- Made in the USA

GENERAL INFORMATION

The Tasseron Euro Series Outdoor Temperature Sensor provides a high quality solution for both commercial and industrial applications. The Euro housing offers weatherproof NEMA 4X/IP 66 ratings and is produced with injection-molded PC/ABS material with UV resistance.

The available measuring elements interface with most major control manufacturers. Accurate thermistors and RTDs ensure low drift and are double encapsulated to guarantee the highest reliability in the field. The removable Hinged Snap Cover and Quick Connect wire terminals make installation easy and reduces installation costs.

The Euro Series is also available with multiple temperature transmitter ranges with 4-20mA analog output.

SPECIFICATIONS

Enclosure:	NEMA 4X/IP66, injection-molded PC/ABS UL 94 V-0
Cover:	Tool-free quick snap with locking hinge, removable
Mounting:	Direct wall or surface, 2-screw
Connection:	2-pole AWG 22-16 / 0.35 - 1.5mm spring-loaded, Quick Connect wire terminals
Sensor Element:	Interchangeable NTC thermistor, 2-wire RTD Pt100, Pt1000, 2-wire RTD Ni1000-891, Ni1000-TC5, 2 wire

SPECIFICATIONS CONT.

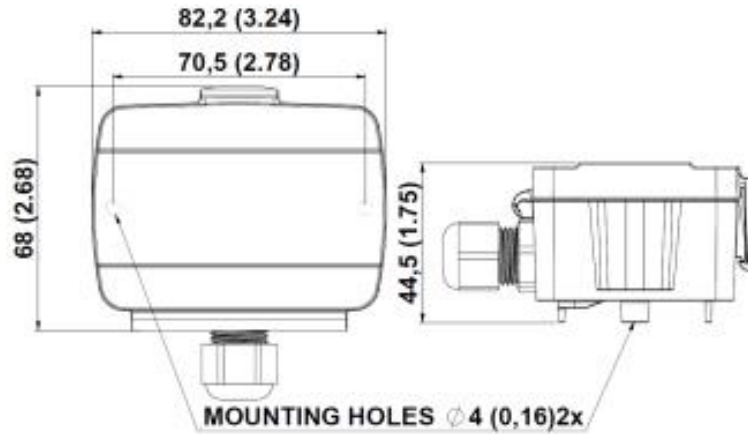
Sensor Value:	NTC 10K Ohm type 2 @ 25°C / 77°F NTC 10K Ohm type 3 @ 25°C / 77°F NTC 20K Ohm @ 25°C / 77°F NTC 3K Ohm @ 25°C / 77°F RTD Pt1000 1000 Ohm @ 0°C / 32°F RTD Pt100 100 Ohm @ 0°C / 32°F RTD Ni1000-891 891 Ohm @ 0°C / 32°F RTD Ni1000-TC5 1000 Ohm @ 0°C / 32°F (Other elements on request)
Accuracy:	NTC thermistor 0...70°C ± 0.2°C / 32...158°F ± 0.36°F Pt100 / Pt1000 Class B IEC751, ± 0.3°C / ± 0.5°F @ 0°C / 32°F Ni1000 DIN 43760, ± 0.5°C / ± 0.9°F @ 0°C / 32°F
Range:	-40...105°C / -40...221°F
Response Time:	<8 min.

TEMPERATURE TRANSMITTERS ONLY:

Transmitter Element:	Pt1000 Class-A
Loop Supply Voltage:	
Output Current:	4 - 20 mA
Accuracy:	0.2% FSR
Connection:	2-pole AWG 30-16 / 0.2 - 1.5mm ² spring-loaded, 3.81mm Quick Connect wire terminals
Connector:	1—V+ 2—T
Temp. TR Ranges:	<i>Specified when ordering:</i> Range 1 "X" : -40...+70°C / -40...158°F Range 2 "W" : 0...+50°C / +32...122°F Range 3 "T" : 0...100°C / +32...+212°F Range 4 "U" : +20.7...+48.9°C / +20...+120°F Range 5 "V" : -17.8...37.8°C / 0...+100°F

Approval:	CE & RoHS compliant
Warranty:	5 year limited warranty
Accessories:	M16 to 1/2" NPT Conduit Adapter M16 Cable Gland

DIMENSIONS (in mm)



ORDERING INFORMATION

HOW TO BUILD A TASSERON OUTDOOR EURO PART NUMBER

Sample Part Number (THTOEAoo) —Outdoor Euro sensor with 10k Type 2 temperature element

T Tasseron **H** HVAC **T** Temp **O** Outdoor **E** Euro **A** Element **00** Details

- A—10K -2
- B—10K -3
- C—20K
- D—3K
- E—Pt1000
- F—Ni1000-891
- G—10K-4
- H— Pt100
- I—4.7K
- J—10K-3 (11K)
- K— Ni1000-TC5

00—No probe

*Other elements
available on
request

Transmitters:

- T—Range 1
32°F... 212°F
- U—Range 2
20°F... 120°F
- V—Range 3
0°F... 100°F
- W—Range 4
0°C... 50°C
- X—Range 5
-40°C... +70°C

HVAC temperature measuring elements

R/T TABLES

Temp		NTC thermistors					RTD elements			
		curve A	curve B	curve G	curve C	curve D	curve E	curve F	curve H	curve K
		NTC 10K type 2	NTC 10K type 3	NTC 10K type 4	NTC 20KOhm	NTC 3KOhm	Pt1000/ B	Ni1000- 891	Pt100/B	Ni1000- TC5
°C	°F	R (kOhm)	R (kOhm)	R (kOhm)	R (kOhm)	R (kOhm)	R (Ohm)	R (Ohm)	R (Ohm)	R (Ohm)
-40	-40	341.4	242.1	191.9	784.6	97.40	843	697	84.3	831
-35	-31	246.2	181.0	146.6	558.8	71.53	862	719	86.2	851
-30	-22	179.5	136.6	112.9	402.7	52.80	882	743	88.2	872
-25	-13	132.2	103.9	87.59	293.6	39.16	902	766	90.2	893
-20	-4	98.34	79.64	68.47	216.3	29.24	922	790	92.2	914
-15	5	73.73	61.54	53.91	160.7	22.04	941	815	94.1	935
-10	14	55.78	47.91	42.74	120.5	16.74	961	839	96.1	956
-5	23	42.59	37.57	34.11	91.07	12.79	980	864	98.0	978
0	32	32.82	29.66	27.40	69.40	9.856	1000	891	100.0	1000
5	41	25.52	23.57	22.14	53.33	7.663	1020	916	102.0	1022
10	50	19.97	18.85	17.99	41.28	5.999	1039	942	103.9	1045
15	59	15.75	15.17	14.72	32.18	4.729	1058	968	105.8	1068
20	68	12.51	12.28	12.09	25.28	3.754	1078	994	107.8	1091
25	77	10.00	10.00	10.00	20.00	3.000	1097	1021	109.7	1114
30	86	8.048	8.184	8.308	15.92	2.416	1117	1048	111.7	1138
35	95	6.516	6.735	6.936	12.75	1.957	1136	1075	113.6	1162
40	104	5.306	5.577	5.819	10.27	1.595	1155	1102	115.5	1186
45	113	4.345	4.641	4.904	8.320	1.307	1175	1130	117.5	1210
50	122	3.578	3.877	4.151	6.779	1.076	1194	1158	119.4	1235
55	131	2.962	3.261	3.529	5.556	0.888	1213	1187	121.3	1260
60	140	2.464	2.756	3.012	4.577	0.737	1232	1216	123.2	1285
65	149	2.060	2.340	2.582	3.788	0.616	1252	1245	125.2	1311
70	158	1.730	1.996	2.221	3.150	0.518	1271	1274	127.1	1337
75	167	1.460	1.707	1.918	2.630	0.441	1290	1304	129.0	1364
80	176	1.236	1.466	1.663	2.206	0.377	1309	1334	130.9	1390
85	185	1.051	1.264	1.446	1.857	0.324	1328	1365	132.8	1417
90	194	0.896	1.095	1.262	1.570	0.278	1347	1396	134.7	1444
95	203	0.767	0.952	1.105	1.333	0.239	1366	1427	136.6	1472
100	212	0.659	0.831	0.970	1.136	0.206	1385	1459	138.5	1500
105	221	0.569	0.728	0.855	0.972	0.179	1404	1491	140.4	1528
110	230	0.493	0.640	0.755	0.834	0.156	1423	1524	142.3	1557
115	239	0.428	0.564	0.669	0.719	0.136	1442	1556	144.2	1586
120	248	0.374	0.499	0.594	0.621	0.119	1461	1590	146.1	1615
125	257	0.327	0.443	0.529	0.539	0.105	1479	1623	147.9	1645

* Other elements on request

Tasseron Sensors Inc.

140 Choate Circle

Montoursville, PA 17754

Tel: +1 (570) 601-1971

Fax: +1 (570) 601-1972

Email: sales@tasseronusa.com